

Uniclass L7522	EPIC L22
CI/SfB (56.84)	X



Wireless Heating Systems

KICK SPACE HEATER

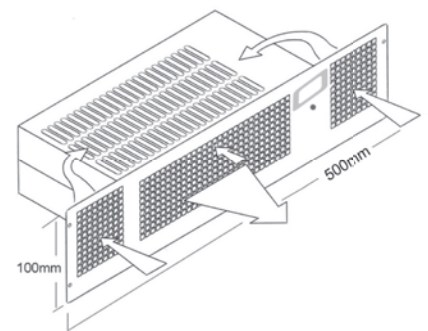
Fan Assisted Heater with Wireless Time and Temperature Control



This heater can only be used when connected to a WCT100/TX wireless programmable timer. Each WCT100/TX can control any number of heaters. The heater has an indicator light positioned on the fascia. The light may be:

- Green when no heat is needed
- Yellow when some heat is needed to maintain the room temperature
- Red when the heater is on full power
- Flashing Red when the heater has overheated and the Electronic Safety Control has switched the heater off.

Please refer to the WCT100/TX user instructions for full operational details.



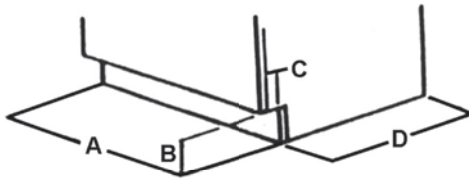
A simple to install wireless controlled heating system for the kitchen.

KEY FEATURES:

- Simply wire the heater to a fuse spur • Hidden wiring • No need to manually switch heaters "on" or "off"
- Simple to Programme • Up to 6 temperature settings per day • 7 day clock • Advance mode • Holiday mode
- Keylock mode • Economy mode • Boost Mode • Inbuilt room temperature sensor • Frost protection
- Powered by 2 x 1.5v Alkaline batteries

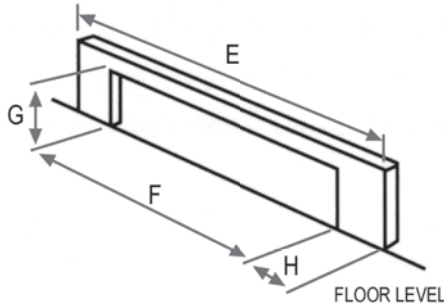
Line Ref.	Code	Dimensions (w x h x d)	Element (Watts)	Output (Watts)	Output (BTU's)
	Brushed Stainless Steel				
104	KS 2000/SS/RX	360 x 90 x 260	2000	2000	6824

DIMENSIONS



Minimum Cupboard Size

A	500mm	- Width
B	100mm (Mini)	- Plinth Height
C	75mm (Maxi)	- Base Shelf Overhang
D	500mm	- Depth

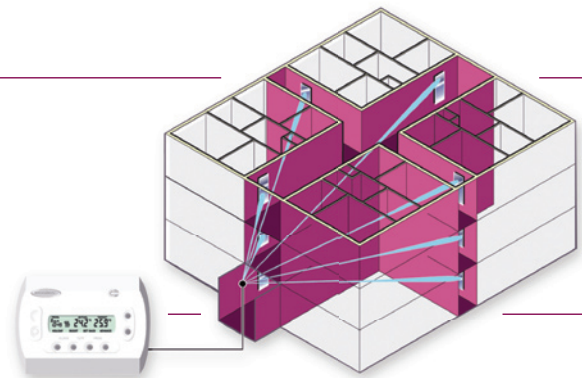


Mounting Slot

E	500
F	456
G	95
H	22

The TX control unit sends a 433MHz radio signal to each "registered" heater within a radius of 30 metres.

Each RX panel heater has an inbuilt receiver designed to respond to a signal from the WCT 100/RX



Sharrocks Street, Wolverhampton WV1 3RP

Tel: **01902 457575** Fax: **01902 457797** Email: **sales@ecolec.co.uk** Website: **www.ecolec.co.uk**